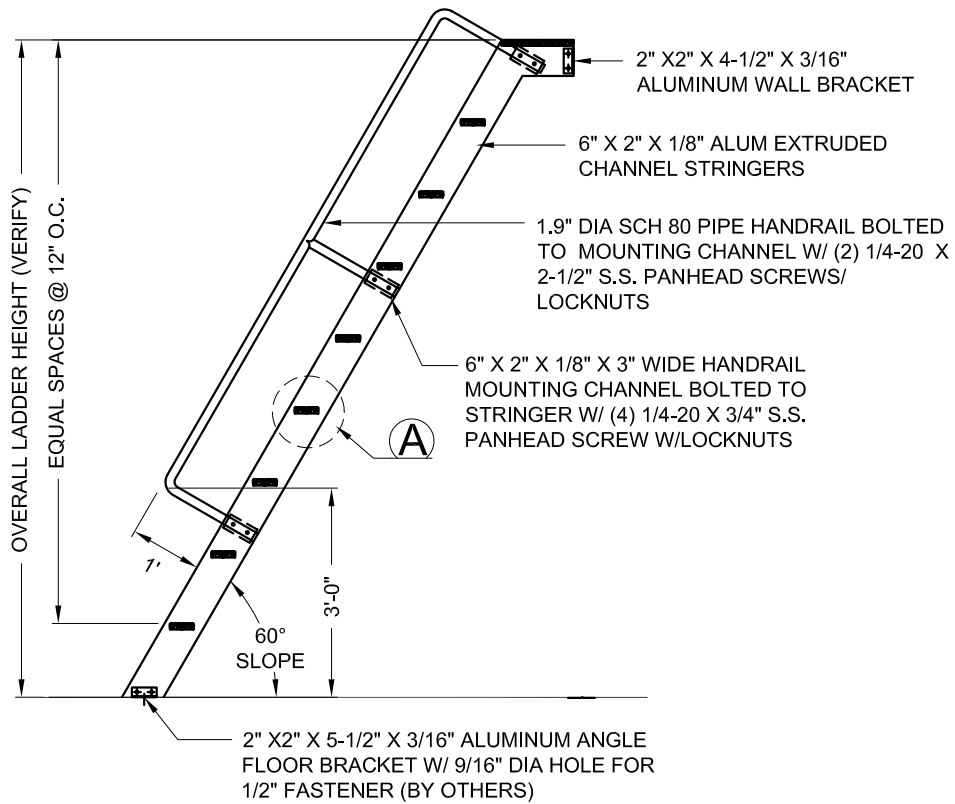


PLAN

3/8" = 1'-0"



SIDE ELEVATION

3/8" = 1'-0"