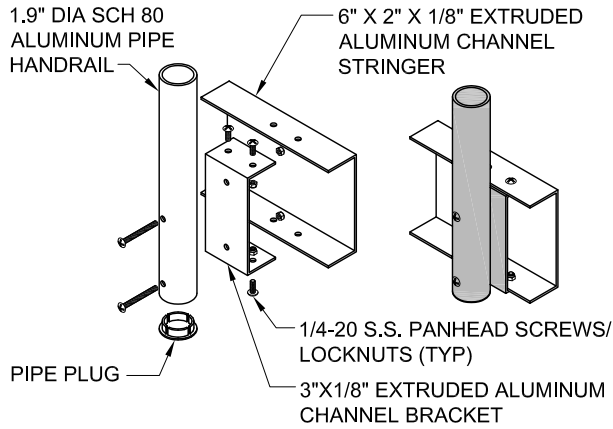
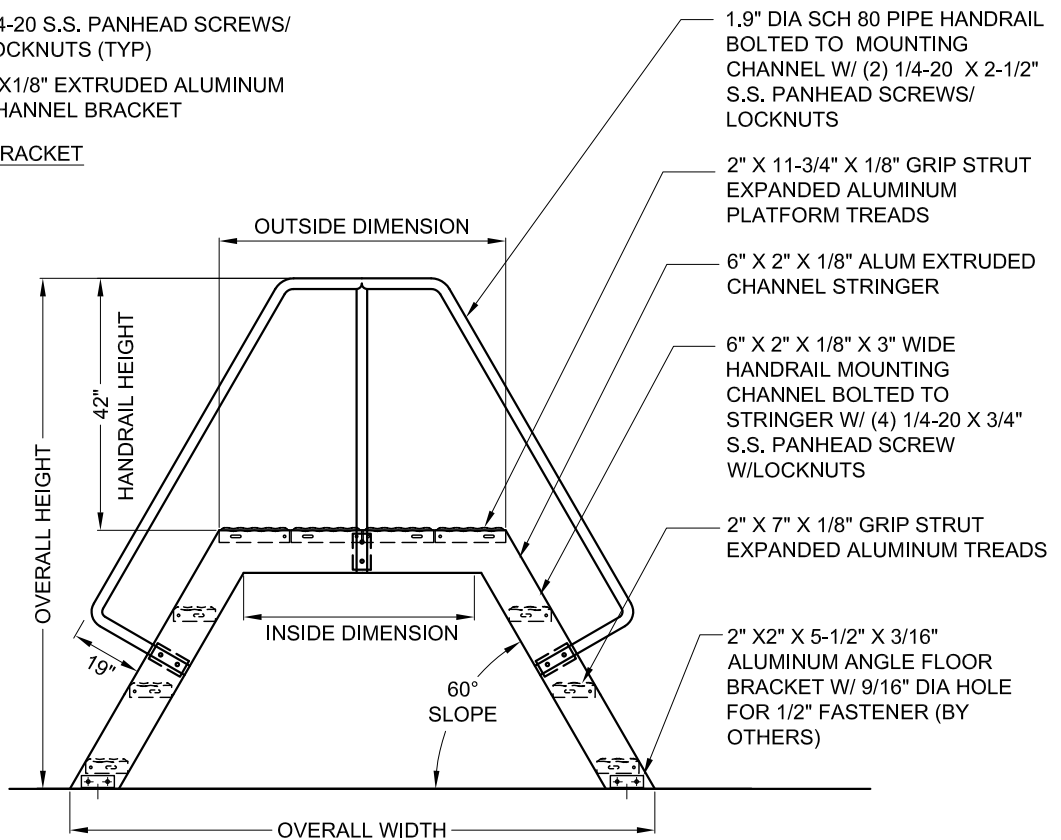


PLAN

3/8" = 1'-0"



HANDRAIL BRACKET
NTS



SIDE ELEVATION

3/8" = 1'-0"