

1/16" EDPM CLOSED CELL
BEDDING TAPE (CONT.)

RS-3 EXTRUDED ALUMINUM SILL
CAP, MITERED AND WELDED AT
CORNERS

#10 X 5/8" PAN HEAD
SCREW AT 18" O.C.

1/4"Ø WEEP SLOTS ONE
PER SIDE AT CORNERS

.125" FORMED
ALUMINUM BRACKET

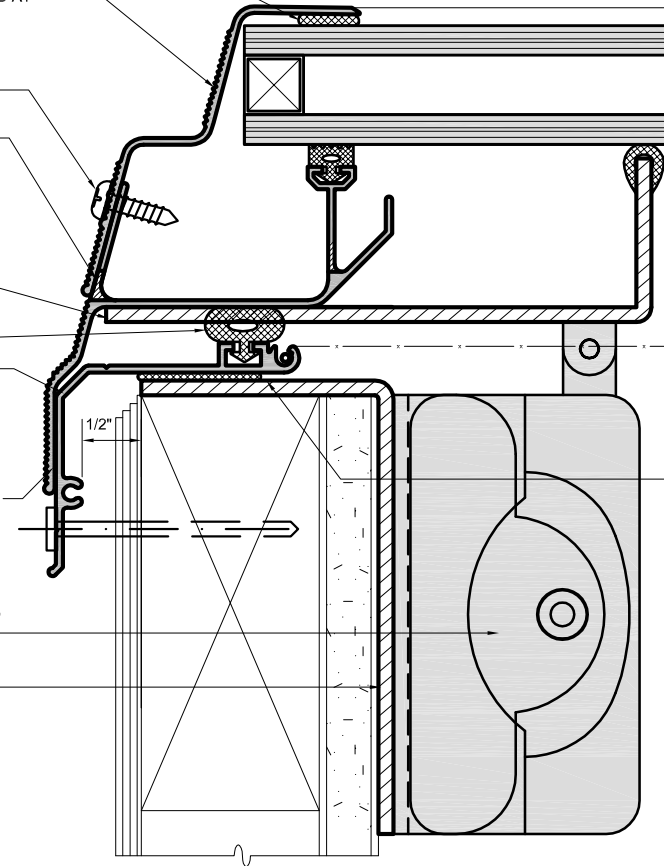
EXTRUDED EPDM
HOLLOW GASKET

RSO-1 EXTRUDED ALUM.
OPERABLE SILL FRAME,
MITERED AND WELDED
AT CORNERS

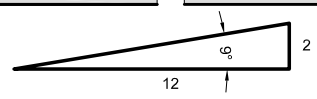
RS-1 EXTRUDED ALUM.
SILL FRAME, MITERED
AND WELDED AT CORNERS

CLEAR LINE SKYLIGHT
OPERATOR (SHOP RIVETED
TO ALUM. ANGLE CLIP)

0.125" FORMED
ALUM. ANGLE CLIP



1 1 SILL @ OPERABLE SECTION



INSTALLATION NOTE:
RECOMMENDED MINIMUM PITCH OF 2:12
TO PREVENT POOLING WATER ON GLASS

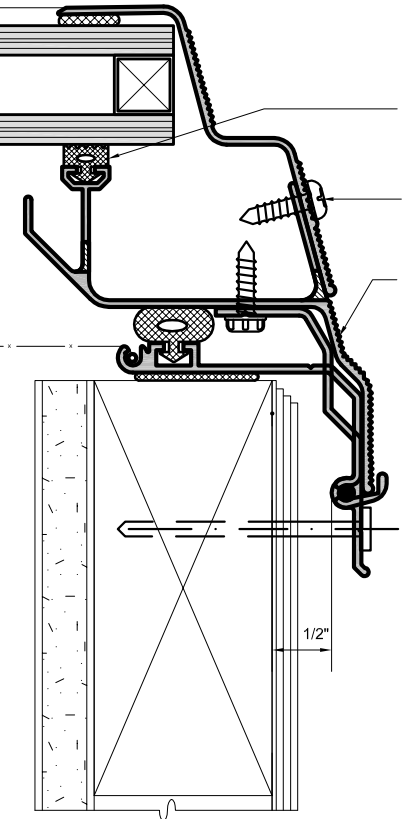
INSTALLATION NOTE:
* SET SILL ON FOAM
WEATHER TAPE OR
NON-SETTING CAULK

FIBER GLASS INSECT
SCREEN W/.090 SCREEN
RETAINER SPLINE

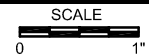
EXTRUDED EPDM
GASKET (CONT.)

#10 X 5/8" PAN HEAD
SCREW AT 18" O.C.

RSO-2 EXTRUDED ALUM. HINGE, 2"
LONG 2 PER HINGE
SIDE AT 1/4 POINTS



1 1 HEAD @ OPERABLE SECTION



1055 TERMINAL WAY
SAN CARLOS, CA 94070
PHONE: (650) 637-1440
FAX: (650) 637-9770