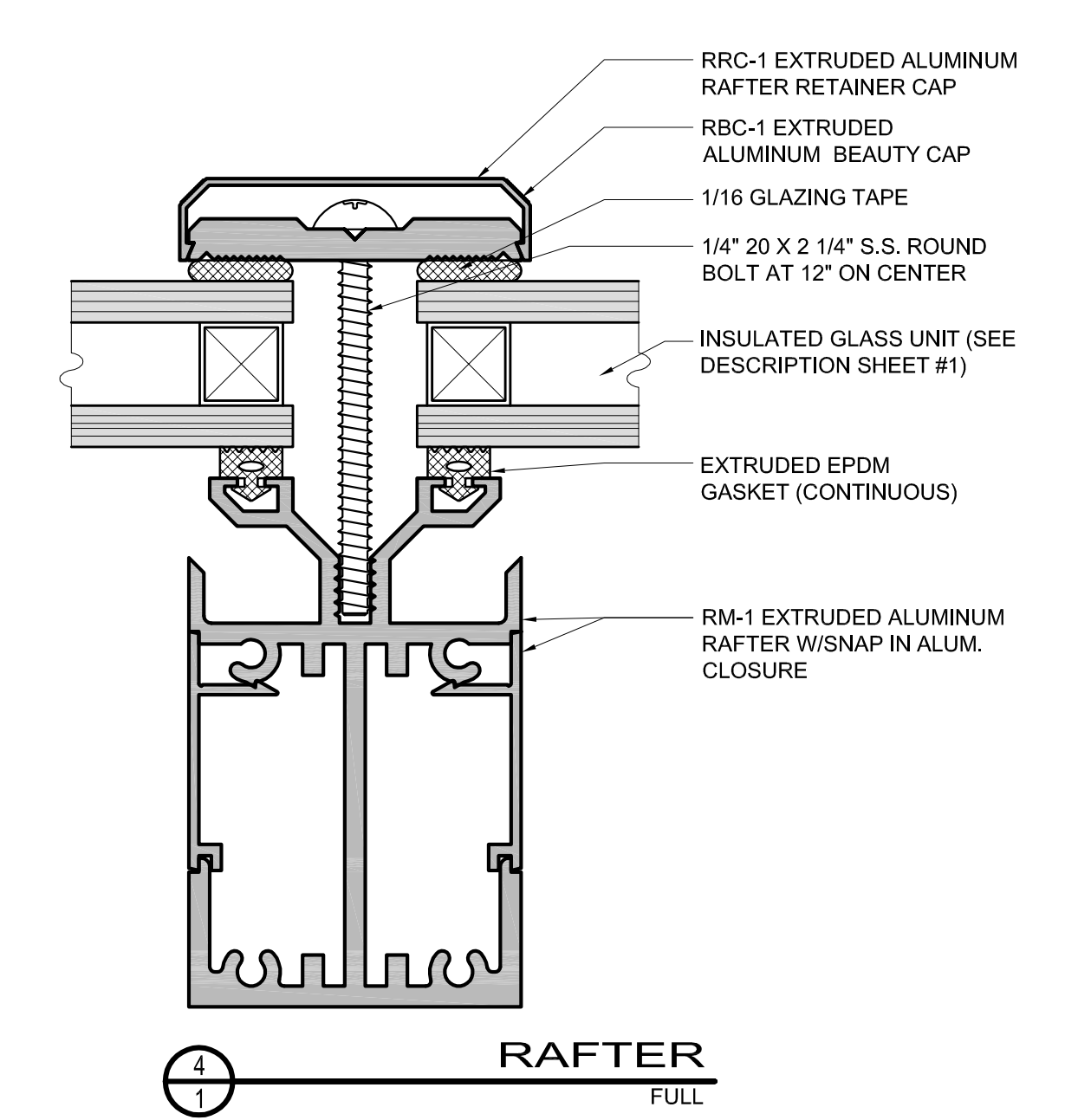


UNIT A
PLAN VIEW
3/4" = 1'



SKYLIGHT SCHEDULE										
UNIT	QTY.	TYPE	SLOPE	O.D. CURB DIM. (W X H)	GLASS TYPE	LIGHT TRANS	U-VALUE	SHGC	# LITES	GLASS MAKE-UP
										FINISH:
										COLOR:
										INSTALLATION:
										FIELD GLAZED <input type="checkbox"/> SHOP GLAZED <input type="checkbox"/>