

1/16" EPDM CLOSED CELL  
BEDDING TAPE (CONT.)  
RS-3 EXTRUDED ALUMINUM SILL  
CAP, MITERED AND WELDED AT  
CORNERS

#10 X 5/8" PAN HEAD  
SCREW AT 18" O.C.  
1/4"Ø WEEP SLOTS ONE  
PER SIDE AT CORNERS

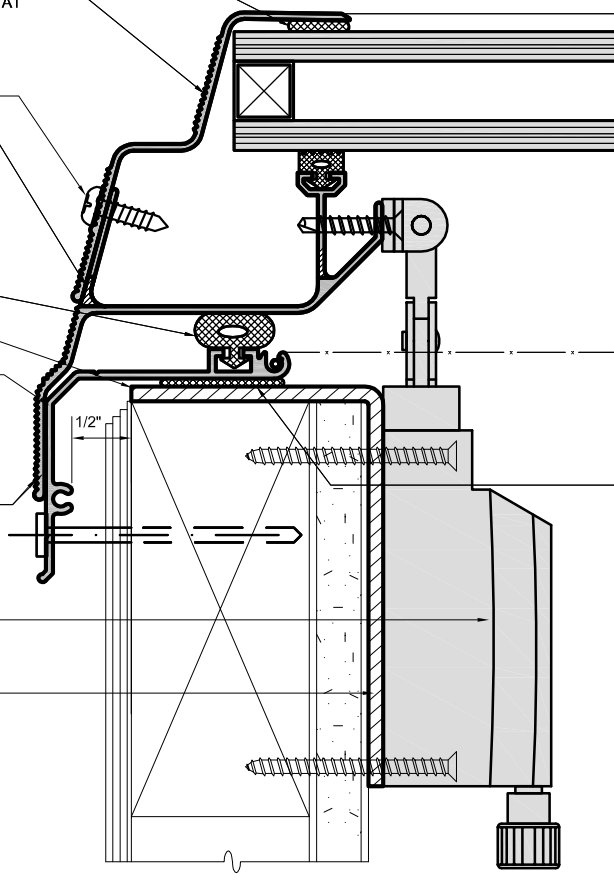
EXTRUDED EPDM  
HOLLOW GASKET  
.125" FORMED  
ALUMINUM BRACKET

RSO-1 EXTRUDED ALUM.  
OPERABLE SILL FRAME,  
MITERED AND WELDED  
AT CORNERS

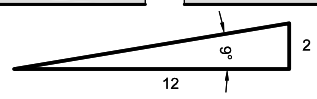
RS-1 EXTRUDED ALUM.  
SILL FRAME, MITERED  
AND WELDED AT CORNERS

TRUTH MANUAL OPERATOR  
STRAIGHT-DRIVE

0.125" FORMED  
ALUMINUM ANGLE  
BRACKET



1 1  
**SILL @ OPERABLE SECTION**  
SCALE  
0 1"



**INSTALLATION NOTE:**  
RECOMMENDED MINIMUM PITCH OF 2:12  
TO PREVENT POOLING WATER ON GLASS

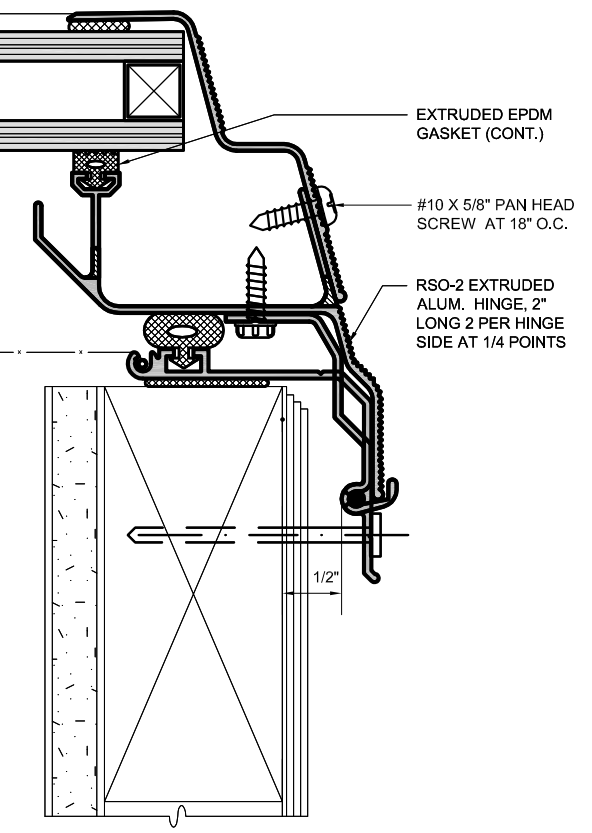
**INSTALLATION NOTE:**  
\* SET SILL ON FOAM  
WEATHER TAPE OR  
NON-SETTING CAULK

FIBER GLASS INSECT  
SCREEN W/.090 SCREEN  
RETAINER SPLINE

EXTRUDED EPDM  
GASKET (CONT.)

#10 X 5/8" PAN HEAD  
SCREW AT 18" O.C.

RSO-2 EXTRUDED ALUM. HINGE, 2"  
LONG 2 PER HINGE  
SIDE AT 1/4 POINTS



1 1  
**HEAD @ OPERABLE SECTION**  
SCALE  
0 1"

**Royalite**  
MANUFACTURING, INC.

1055 TERMINAL WAY  
SAN CARLOS, CA 94070  
PHONE: (650) 637-1440  
FAX: (650) 637-9770