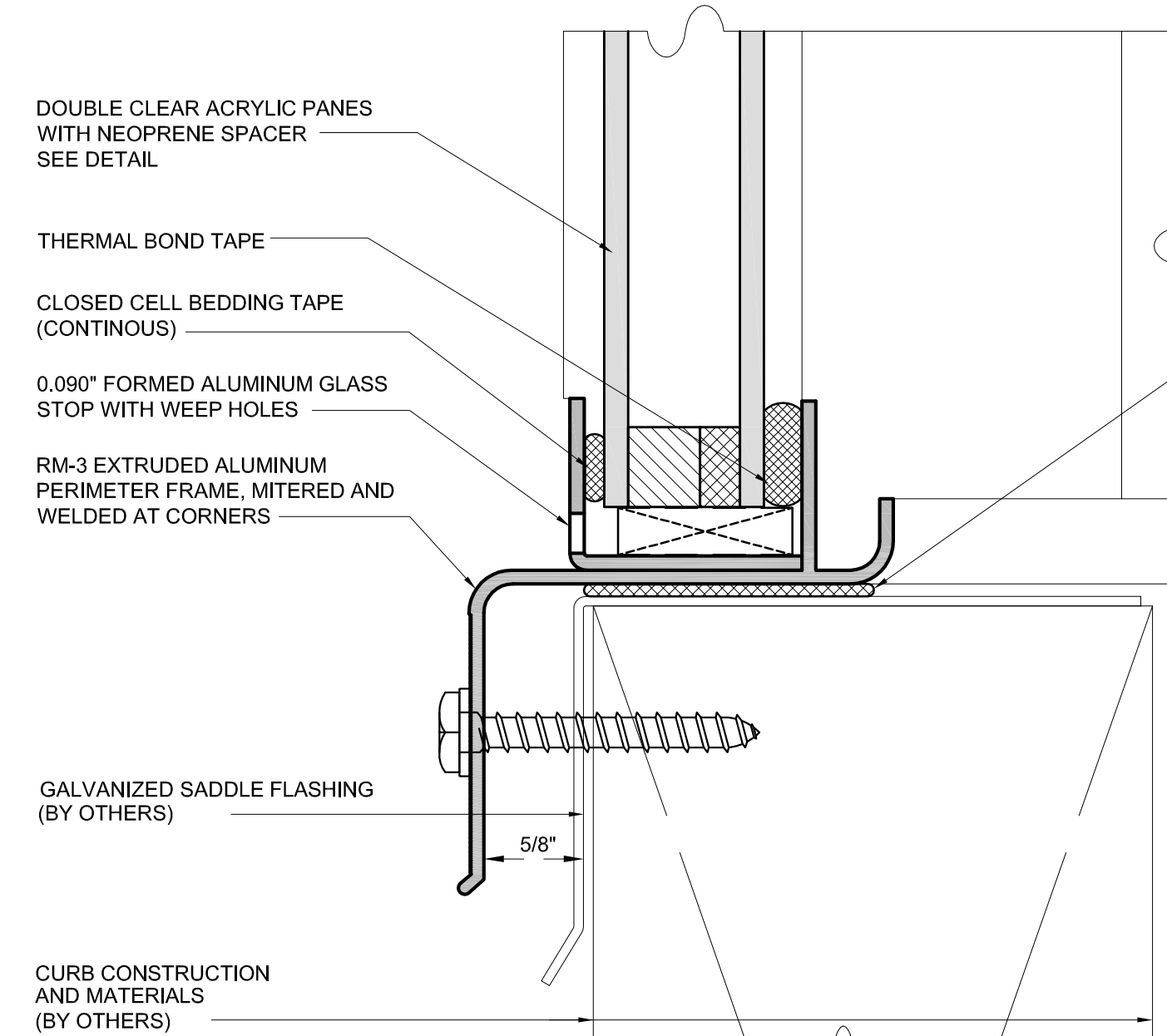
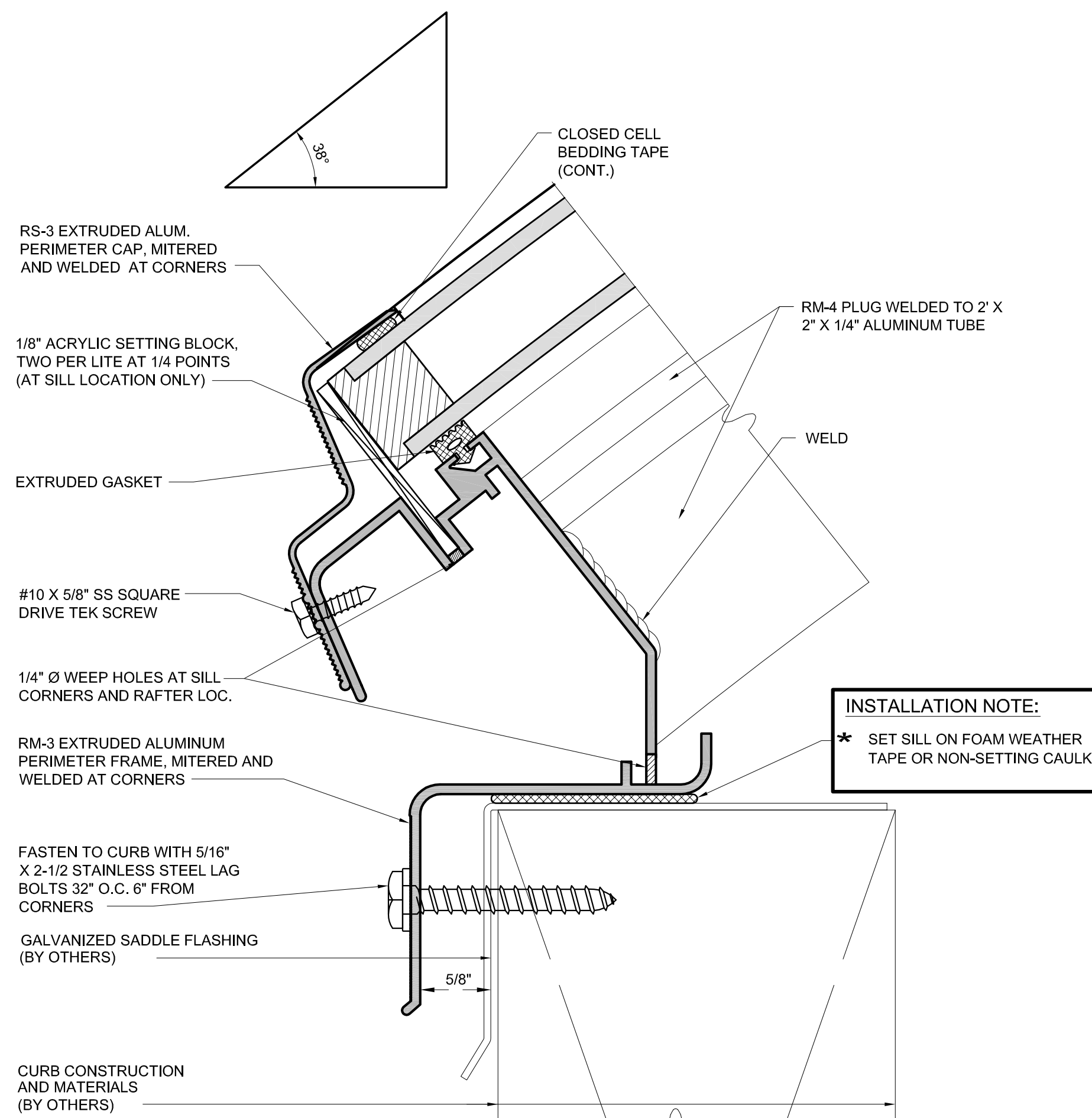


RAFTER @ GLAZED VERTICAL END
FULL



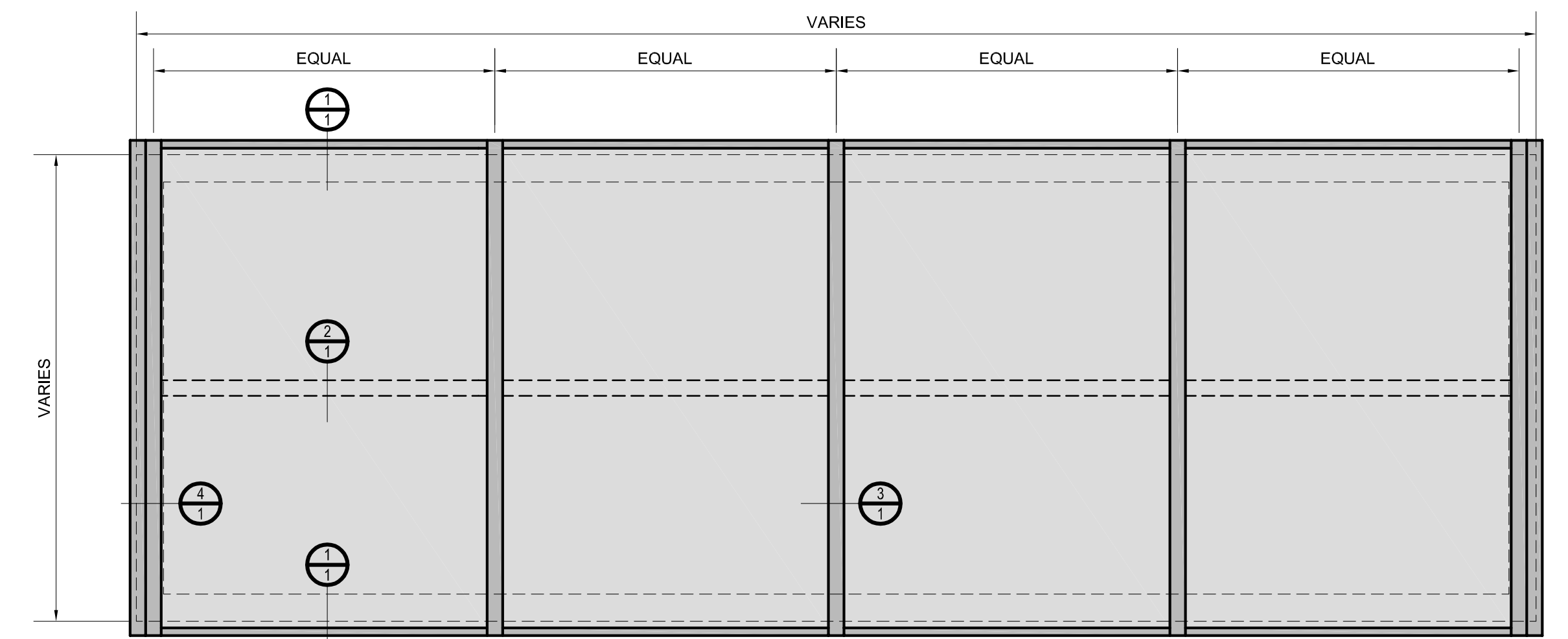
SILL @ GLAZED VERTICAL END
FULL

INSTALLATION NOTE:
* SET SILL ON FOAM WEATHER TAPE OR NON-SETTING CAULK

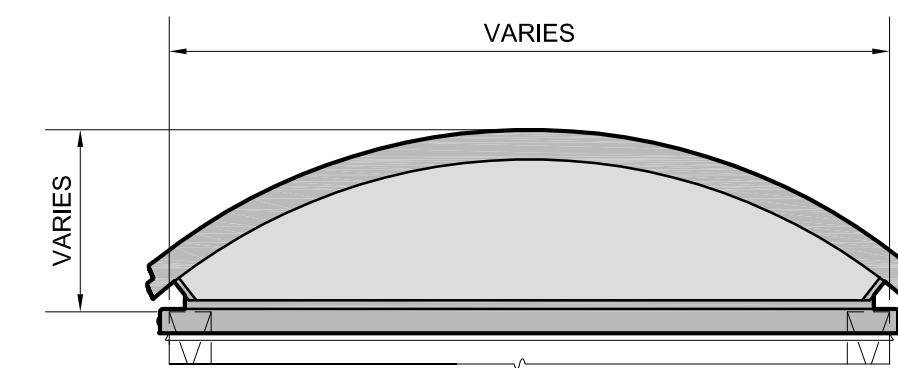


SILL
FULL

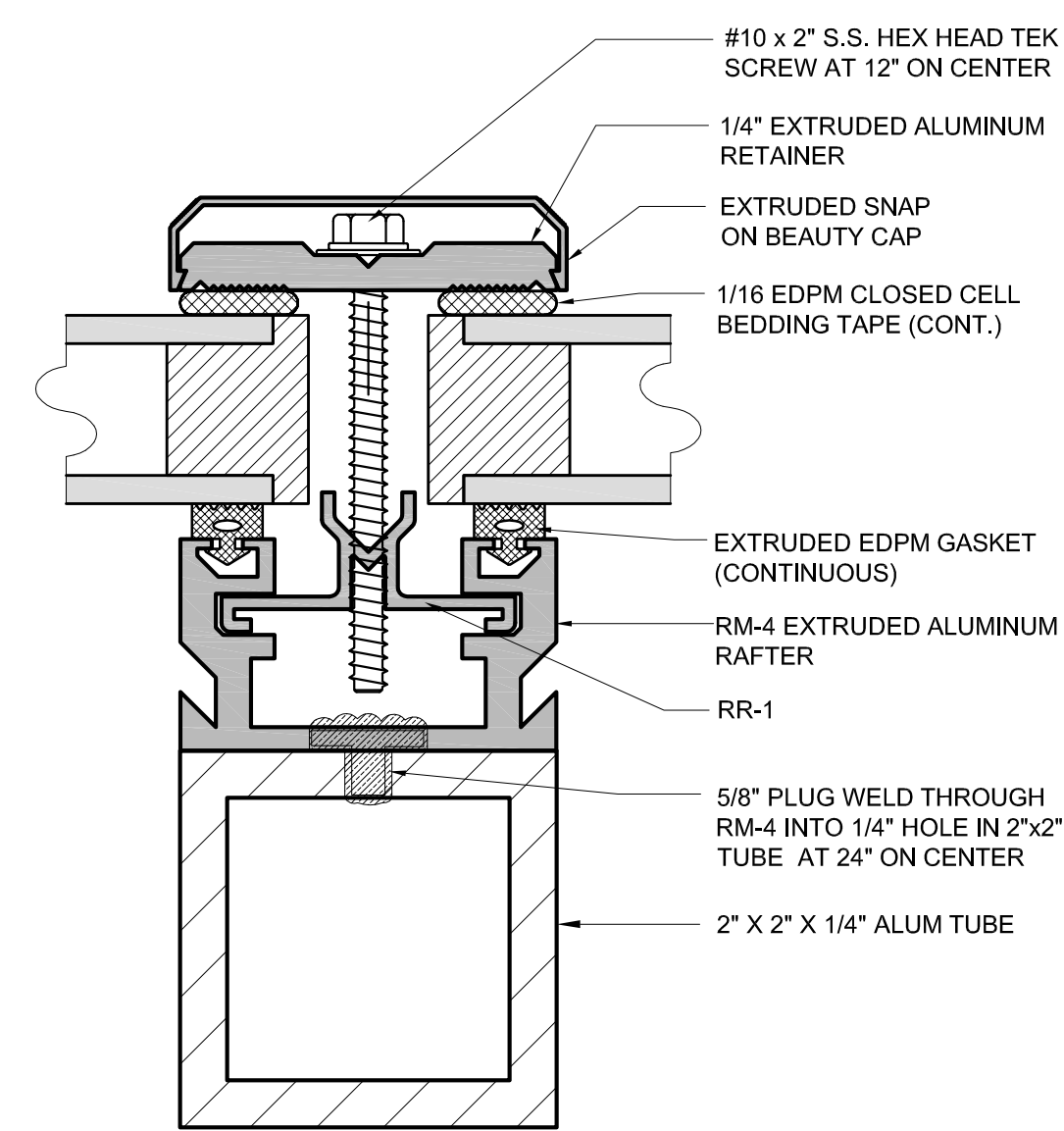
INSTALLATION NOTE:
* SET SILL ON FOAM WEATHER TAPE OR NON-SETTING CAULK



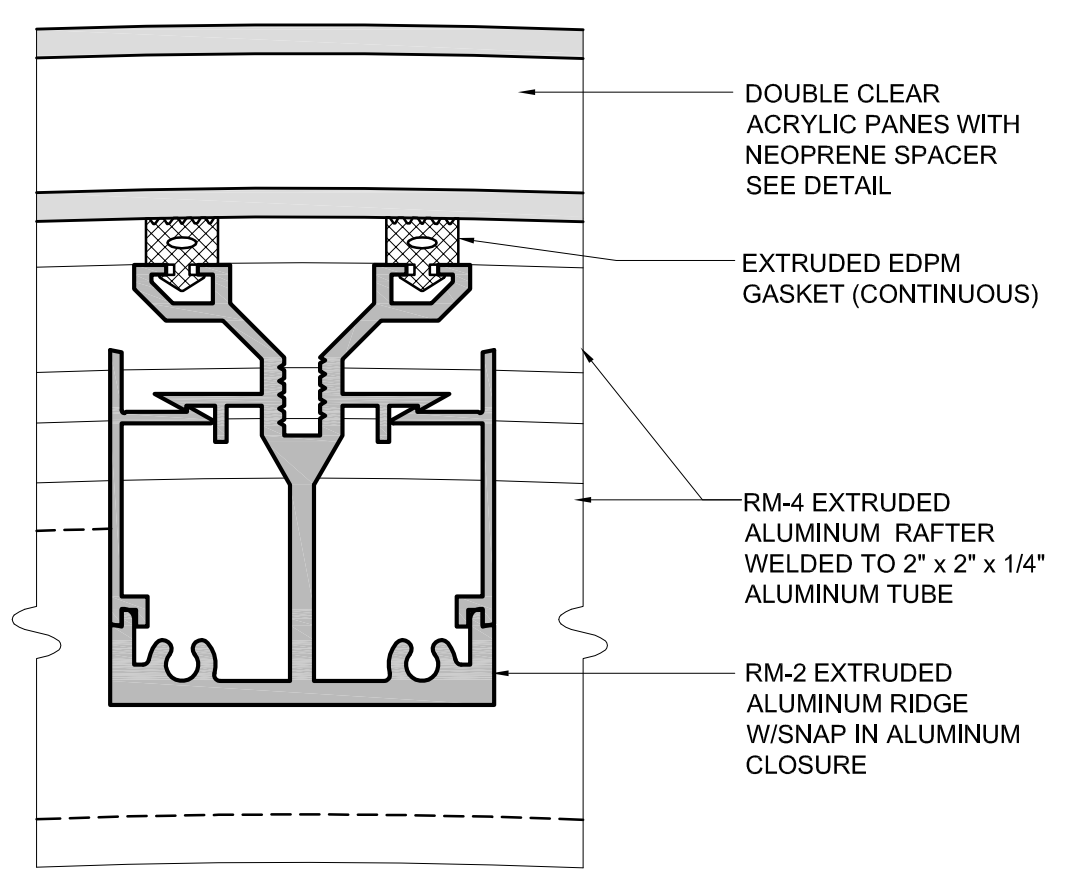
UNIT A PLAN VIEW CURB
3/4" = 1"



UNIT A PLAN VIEW CURB
3/4" = 1"



RAFTER
FULL



RIDGE
FULL

SKYLIGHT SCHEDULE

UNIT	QTY.	TYPE	SLOPE	O.D. CURB DIM. (W X H)	GLASS TYPE	# LITES	GLAZING:
A		ACRYLIC BARREL VAULT					FINISH:
							COLOR:
							INSTALLATION:
							FIELD GLAZED <input type="checkbox"/> SHOP GLAZED <input type="checkbox"/>

Royalite
MANUFACTURING, INC.
1055 TERMINAL WAY
SAN CARLOS, CA 94070
PHONE: (650) 637-1440
FAX: (650) 637-9770
www.royalite-mfg.com

JOB No. _____ PROJECT NAME: _____ SHEET No. **1** of **1**
DRAWN BY: _____ CONTRACTOR: _____ PHONE: _____ REVISED DATE: _____
DATE: _____