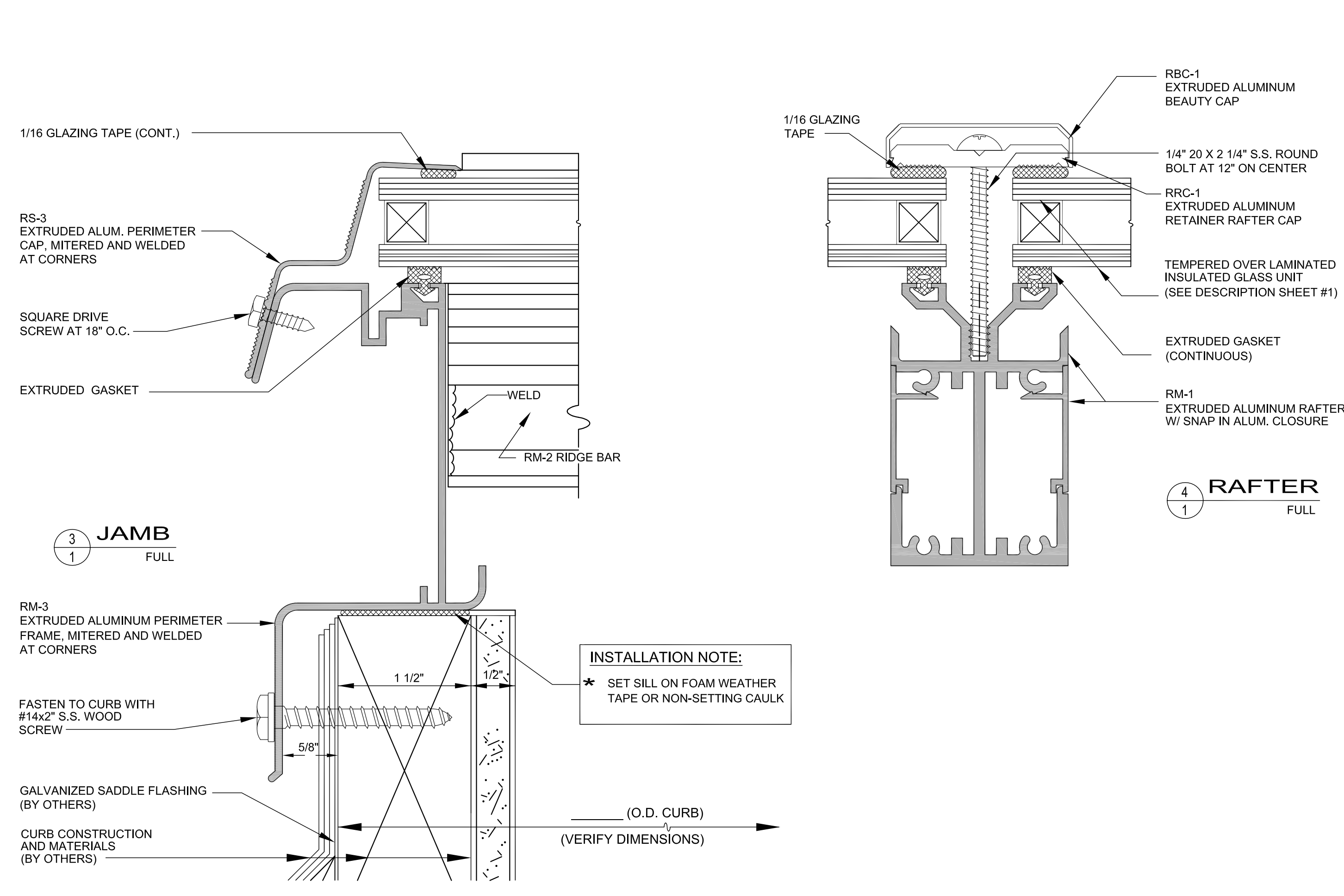
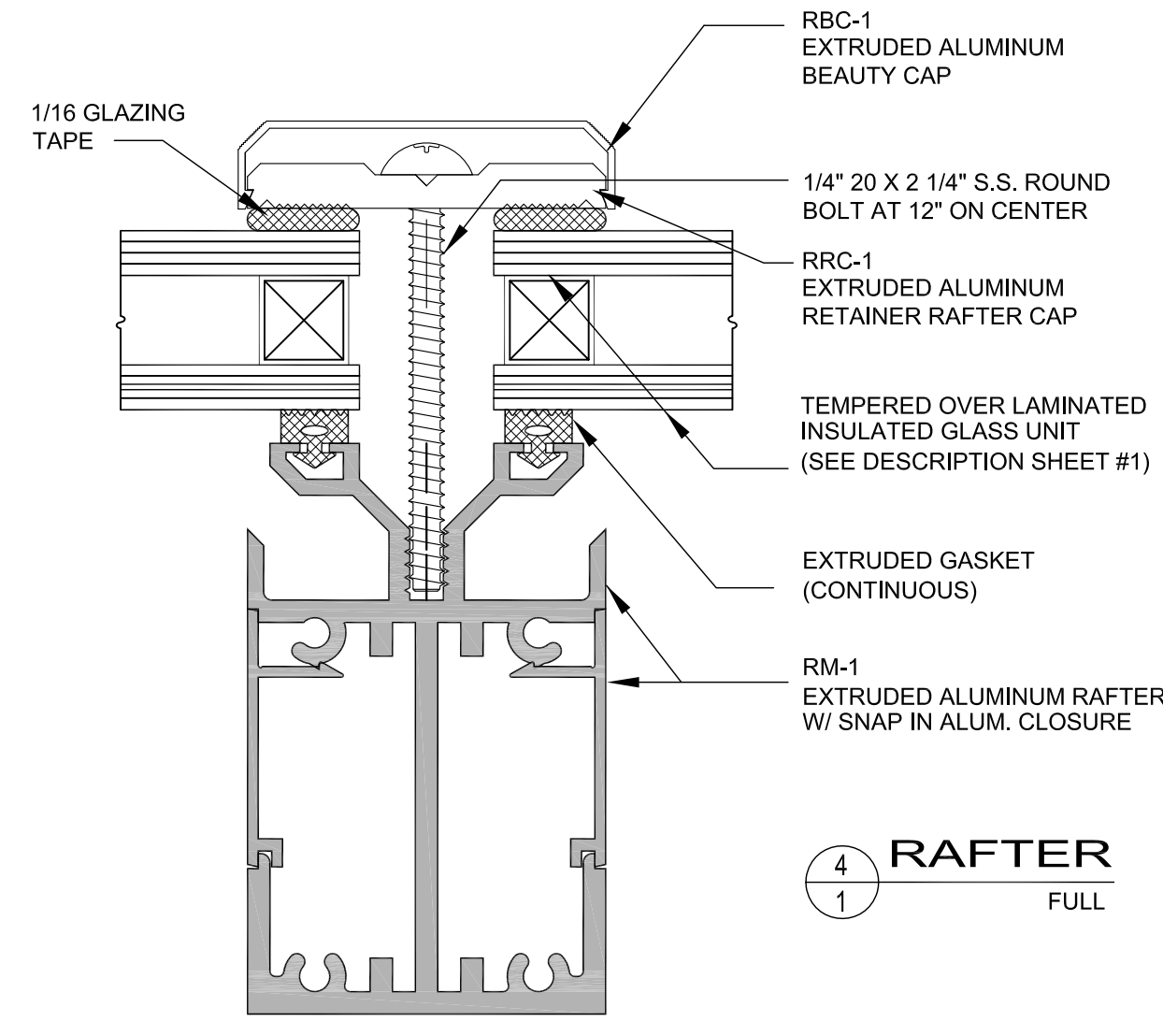


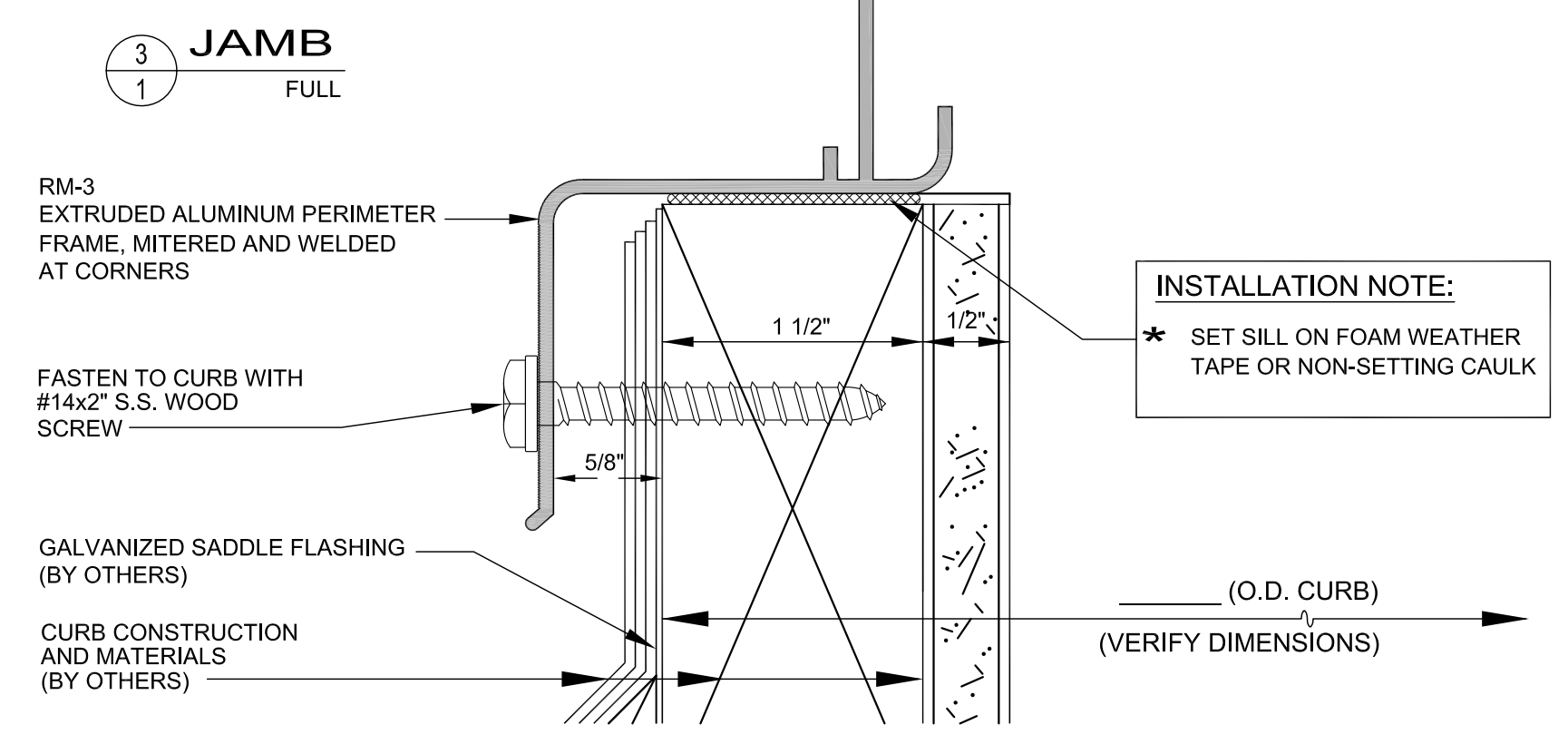
2
1
RIDGE
FULL



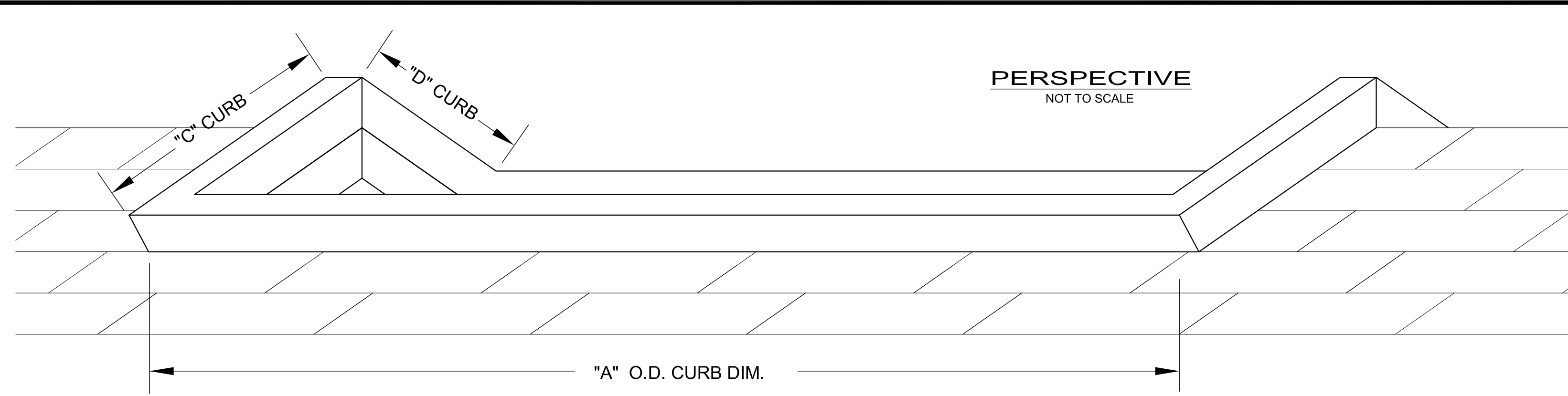
1
1
SILL
FULL



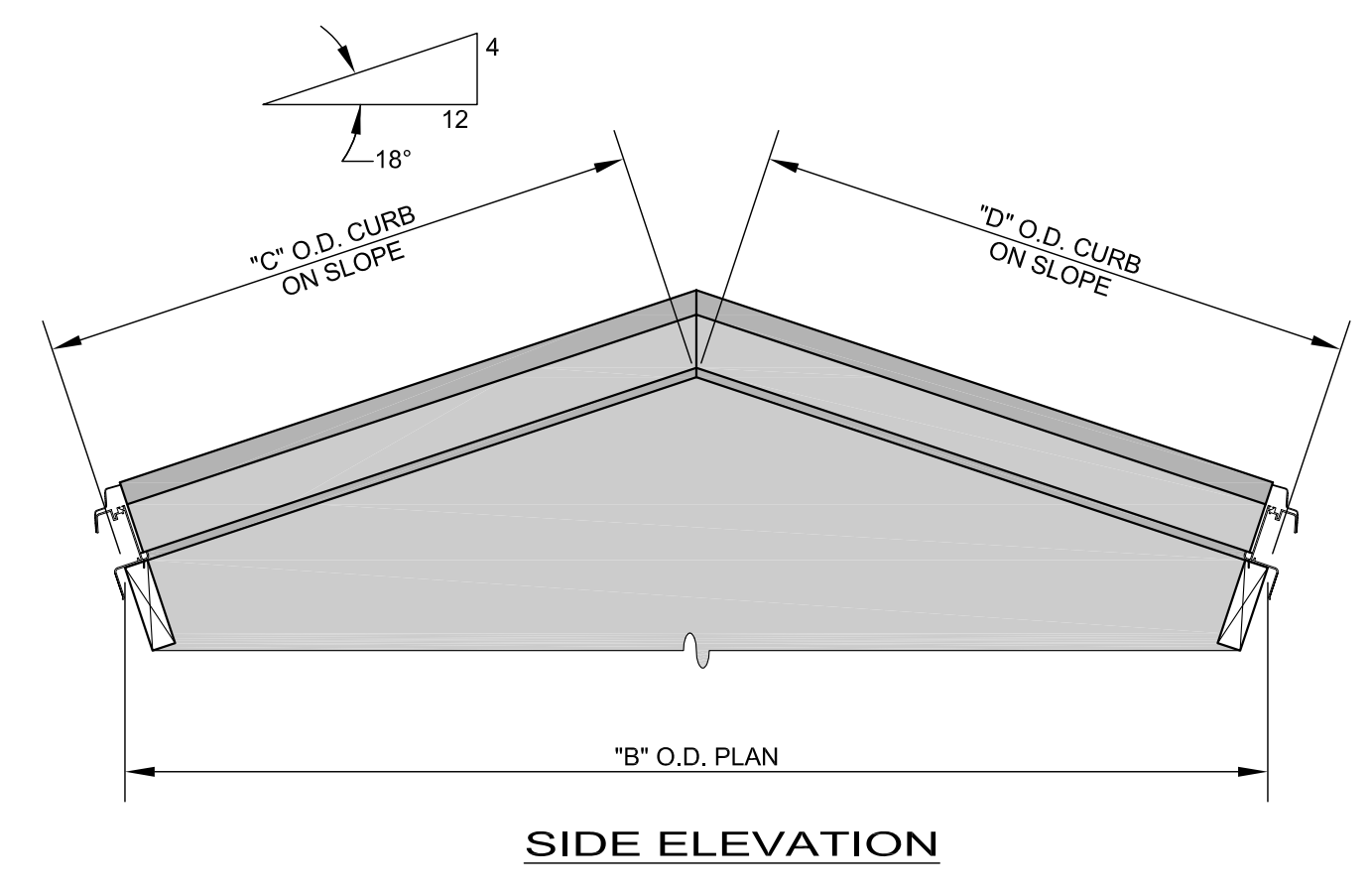
4
1
RAFTER
FULL



3
1
JAMB
FULL

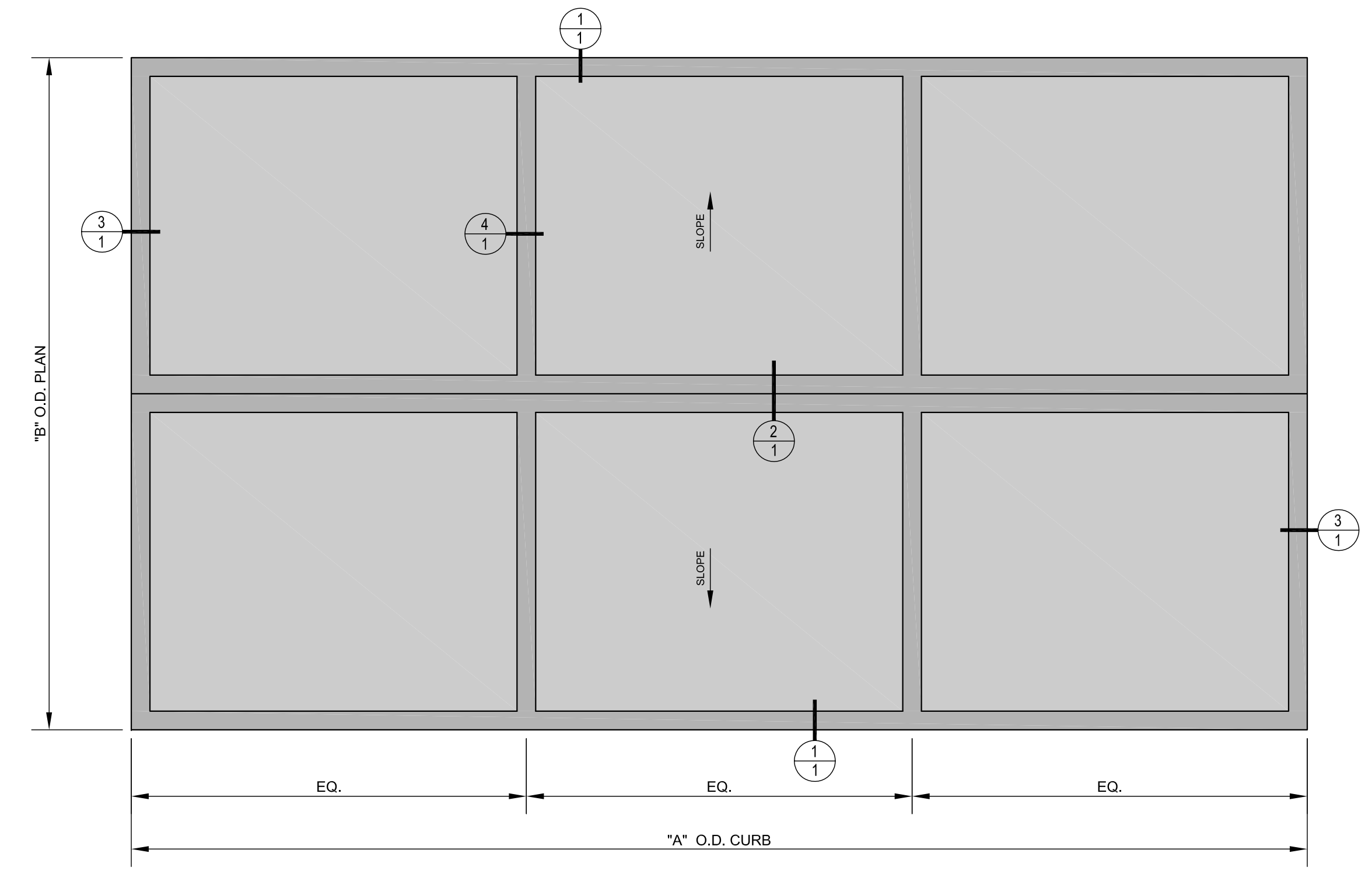


RIDGE SKYLIGHT / PERPENDICULAR CURB




SIDE ELEVATION

UNIT #			
"A" DIM			
"B" DIM			
"C" DIM			
"D" DIM			
PITCH			



UNIT
PLAN VIEW
1" = 1'-0"

SKYLIGHT SCHEDULE							GLAZING:
UNIT	QTY.	TYPE	SLOPE	O.D. CURB DIM. (W X H)	GLASS TYPE	# LITES	FINISH:
							COLOR:
							INSTALLATION:
							FIELD GLAZED <input type="checkbox"/> SHOP GLAZED <input type="checkbox"/>


 1055 TERMINAL WAY
 SAN CARLOS, CA 94070
 PHONE: (650) 637-1440
 FAX: (650) 637-9770
 www.royalite-mfg.com

JOB No.	PROJECT NAME:	SHEET No.
DRAWN BY:	CONTRACTOR:	of
DATE:	PHONE:	REVISED DATE: