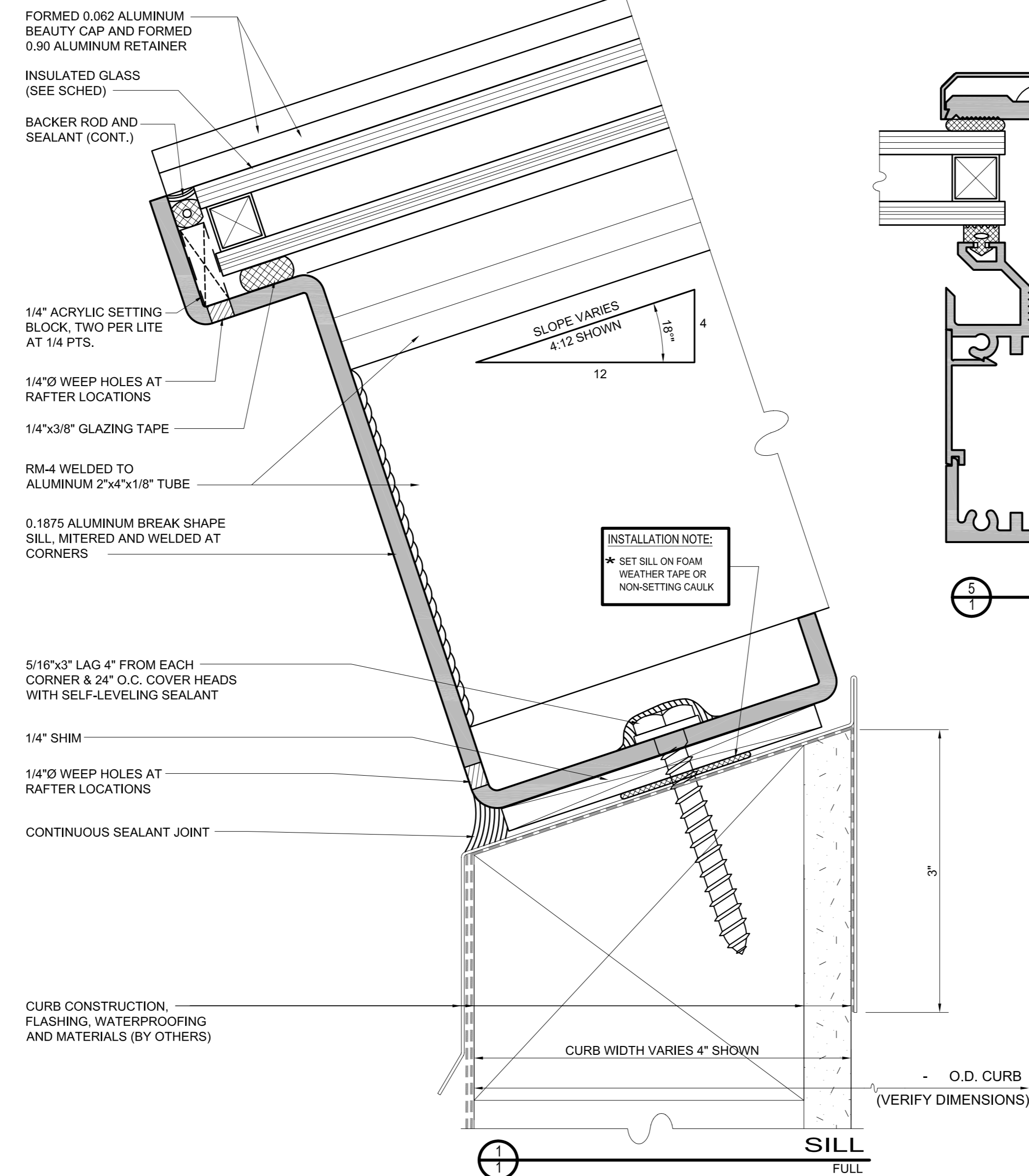
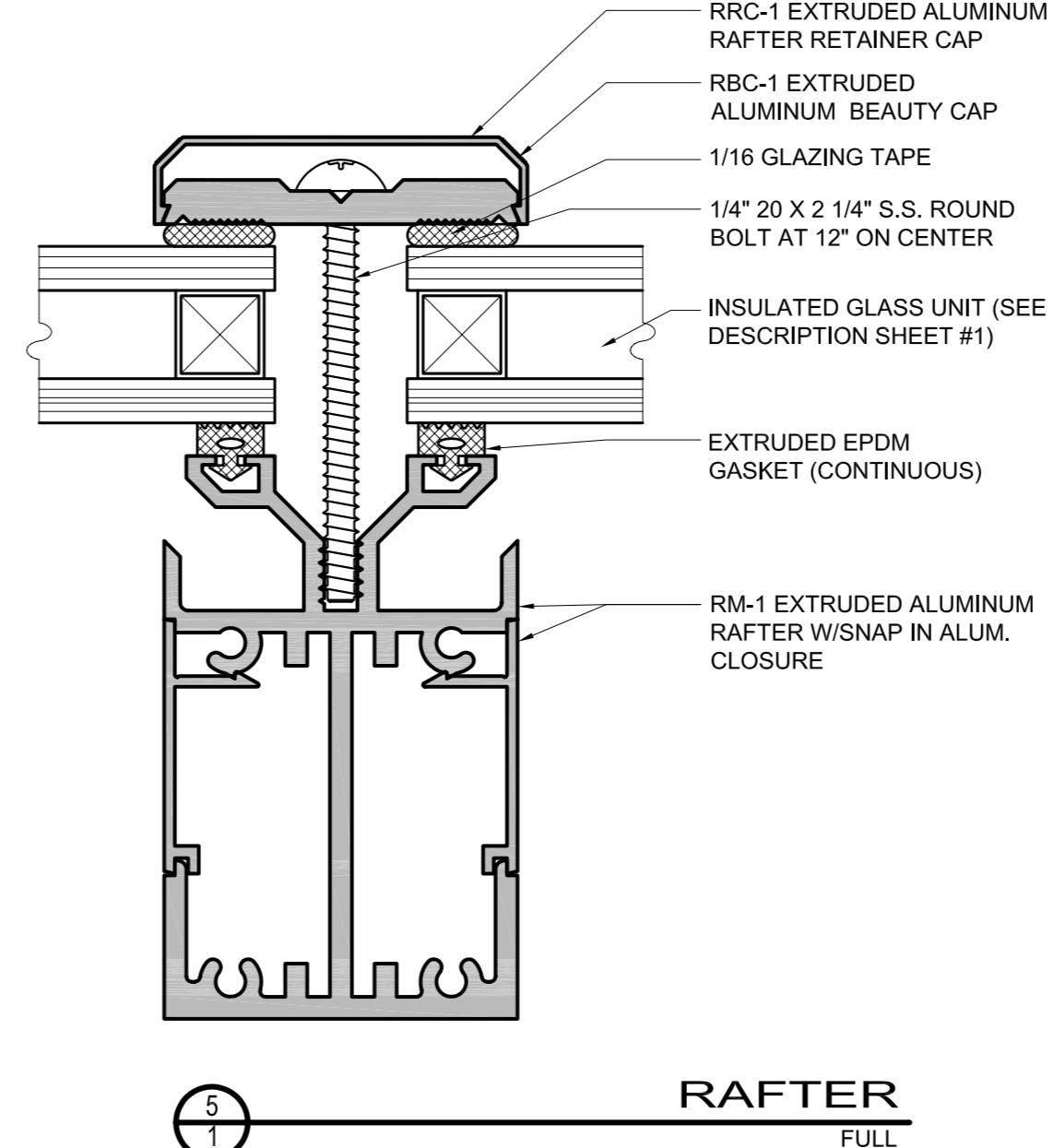


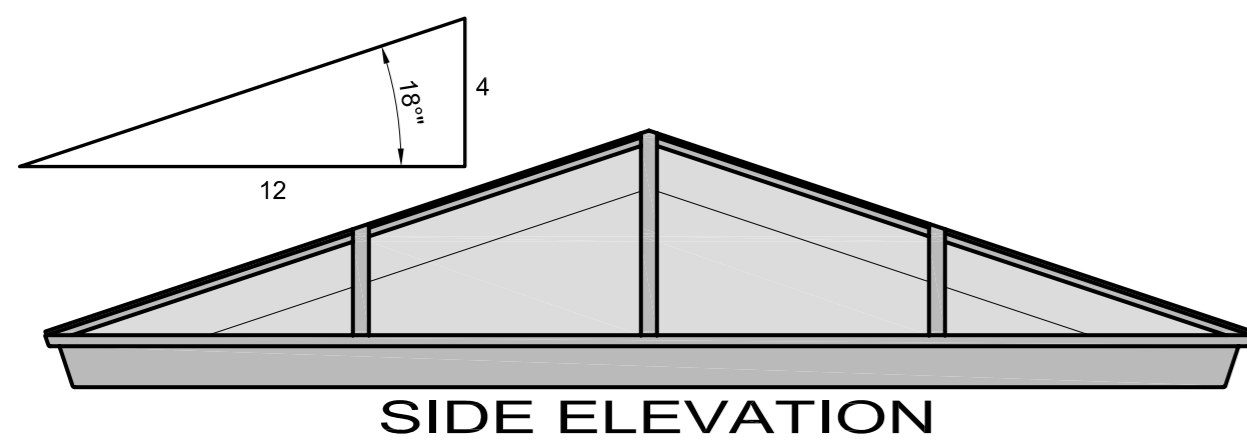
2  
1 APEX FULL



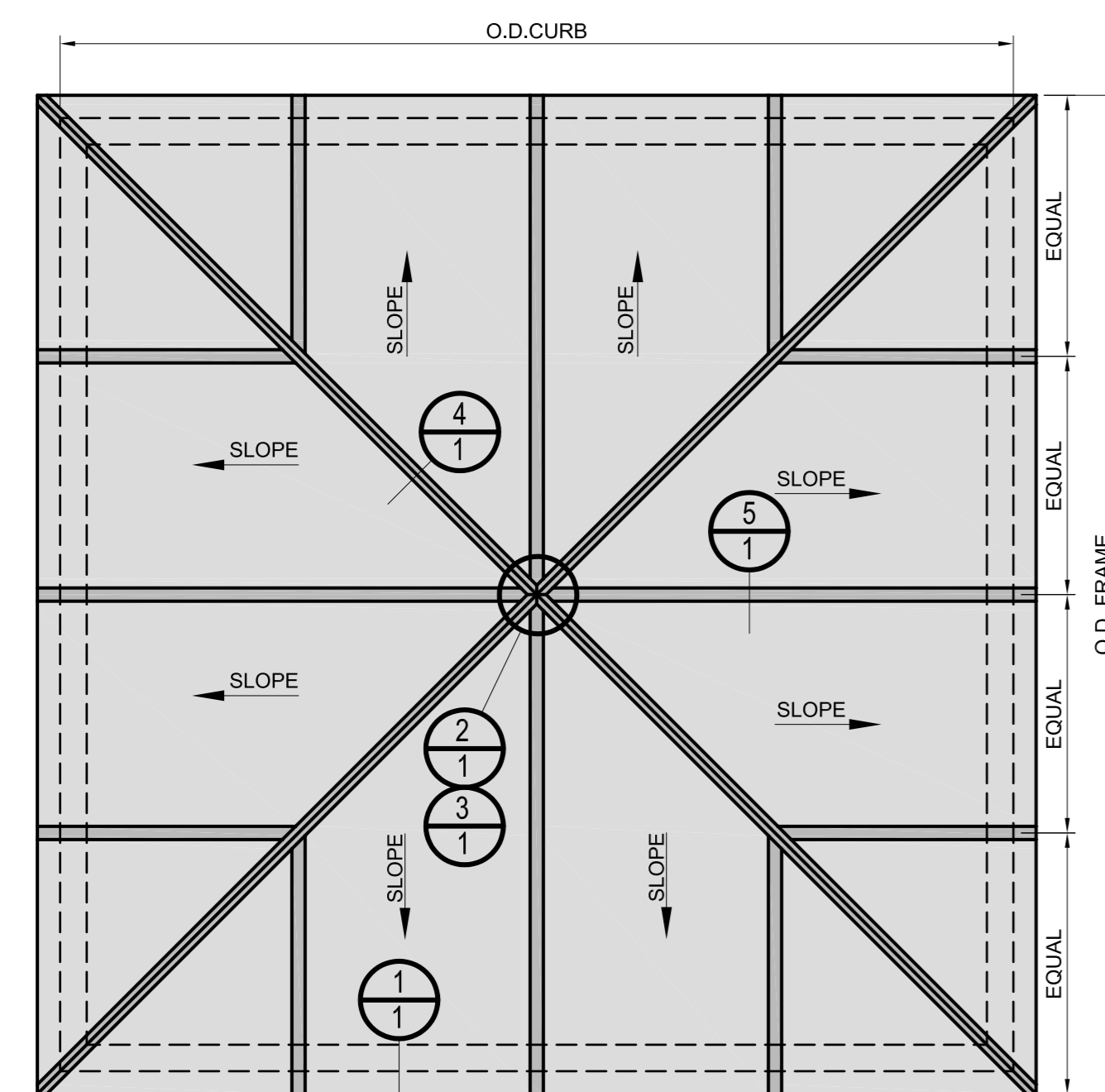
1  
1 SILL FULL



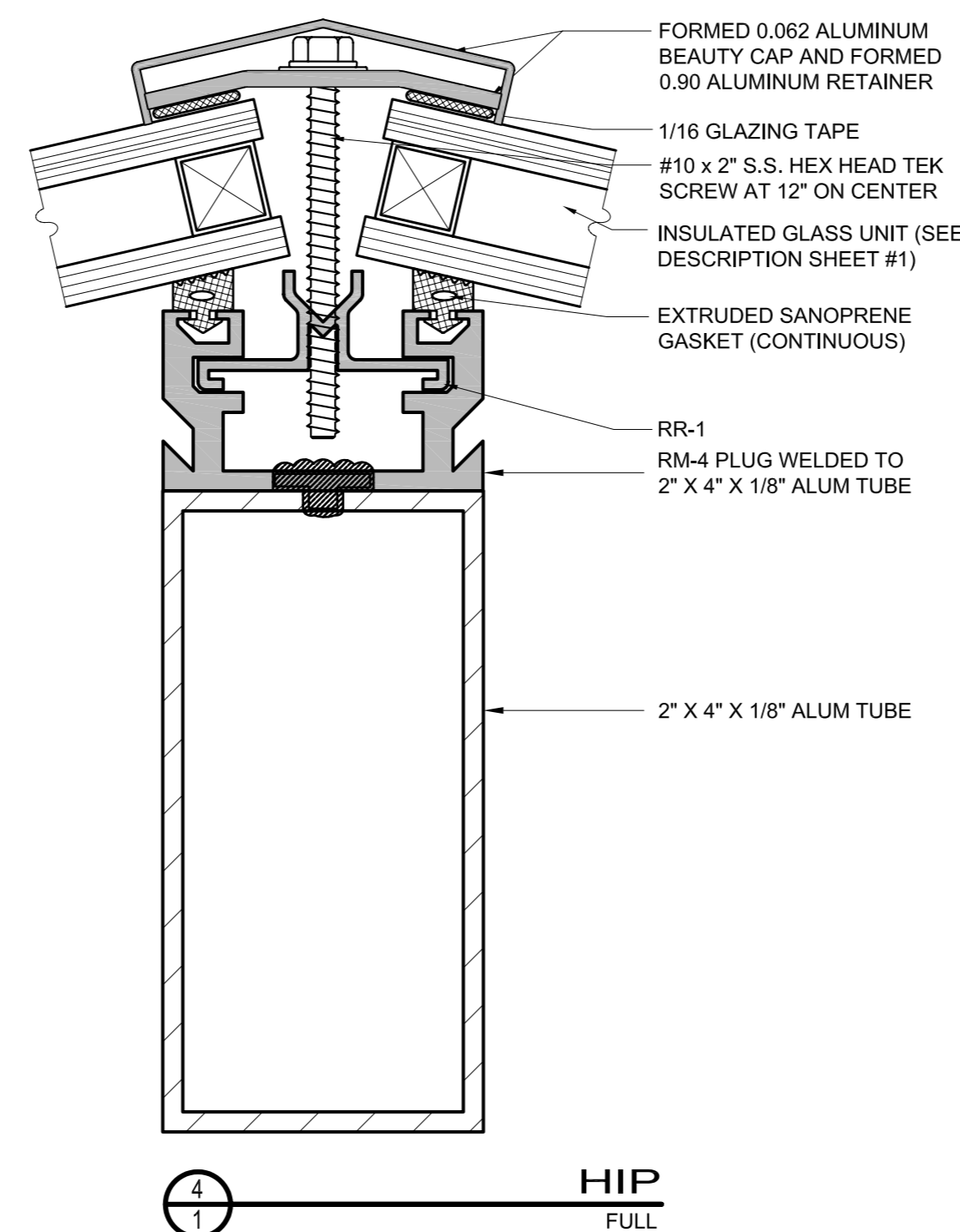
5  
1 RAFTER FULL



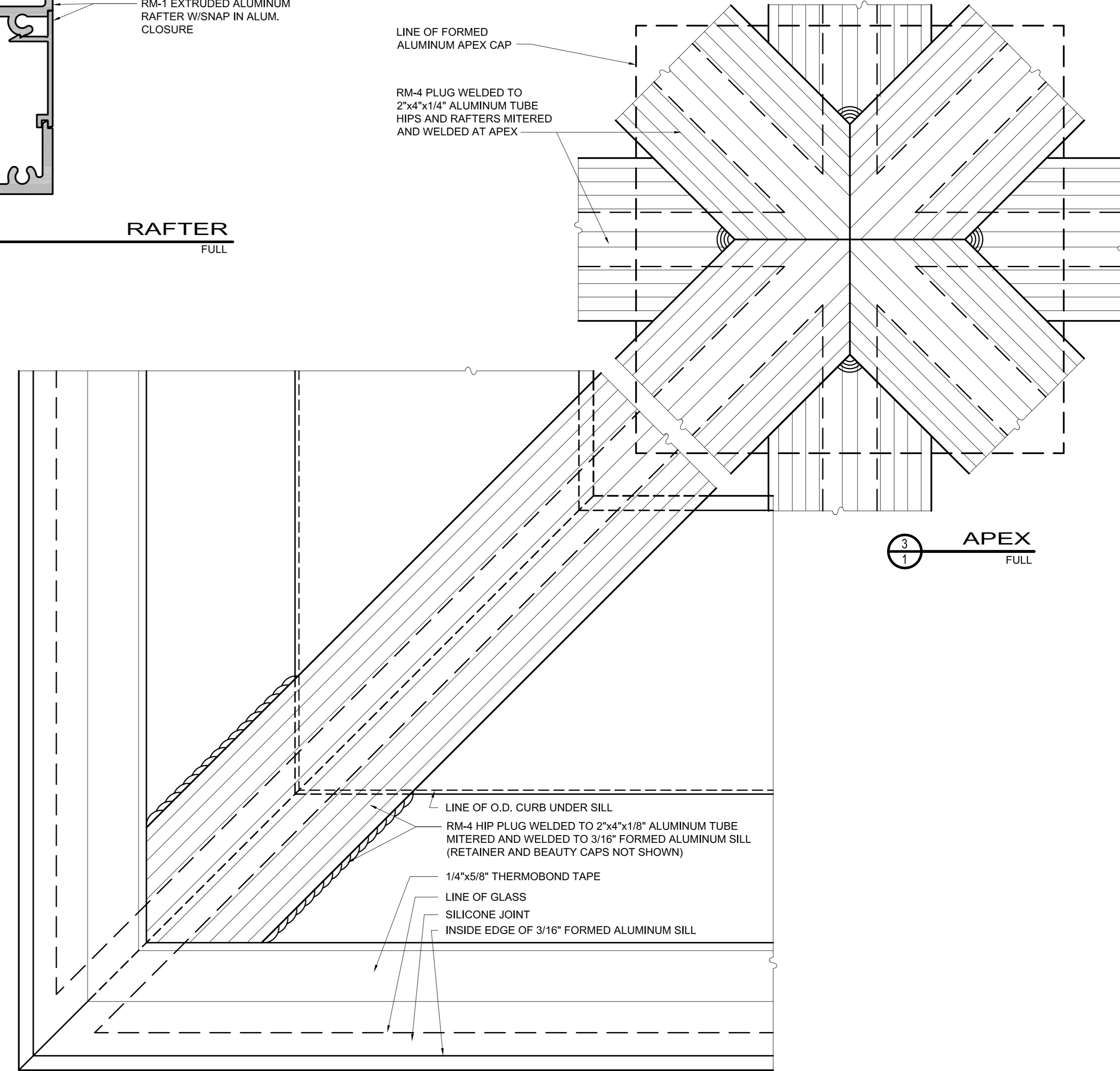
SIDE ELEVATION



PLAN VIEW  
UNIT A  
3/4" = 1'



4  
1 HIP FULL



3  
1 HIP @ SILL FULL

SKYLIGHT SCHEDULE							
UNIT	QTY.	TYPE	SLOPE	O.D. CURB DIM. (W X H)	GLASS TYPE	# LITES	GLAZING:
A	1	VARIES	4:12	VARIES	1" IGU	8	1" IGU FINISH: PAINT COLOR: BRONZE INSTALLATION: - FIELD GLAZED <input type="checkbox"/> SHOP GLAZED <input type="checkbox"/>



1055 TERMINAL WAY  
SAN CARLOS, CA 94070  
PHONE: (650) 637-1440  
FAX: (650) 637-9770  
www.royalite-mfg.com

JOB No. -  
DRAWN BY: PPV  
DATE: -

PROJECT NAME:  
16-LITE PYRAMID  
CONTRACTOR: -  
PHONE: -

SHEET No.  
1 of 1  
REVISED DATE: -